



SHIVA EXPORTS

Importers of complete water management equipments



KAVERI IRRIGATIONS

IRRIGATION DESIGNERS & SUPPLIERS



RAIN BIRD

AQVA STAR

XeriTech
Conserve water, Conserve life

PIMTAS
PVT. LTD. PUNE & BANGALORE

SAB

ARMAS

**OTTERBINE
BAREBO, INC.**

PPP
PRECISION PLUMBING PRODUCTS

**Paige
Irrigation**

Varios
Flow Solutions

Italfog

wilo

Kasco

Supreme
People who know plastics best

NIBCO
A-HEAD OF THE FLOW

LASCO
Fittings, Inc.

STF
matholding group

irritec

Leemco, INC.
Piping Solutions

Gomukhi Point, 102 Sangu Nagar, E.B.Complex Back Side, Collectorate Post, **ERODE - 638 011**. TN, India.

Tel/Fax : 0424 - 2273032, 2273033, Mobile : 098427 10700 / 099420 10700

Website : www.shiva-kaveri.com

Maximum Length of Dripline Useable with the ARV		
	1/2" ARV	
Emitter Spacing	0.6 GPH	0.9 GPH
12"	639'	424'
18"	958'	636'
24"	1278'	848'



ARV Capacity	
Total Flow (GPM)	6.5
Total Flow (GPH)	390

Maximum Length of Dripline Useable with the ARV			METRIC
	1/2" ARV		
Emitter Spacing	2.3 l/h	3.4 l/h	
0.30 m	195	129	
0.46 m	292	194	
0.61 m	390	258	



ARV Capacity	
Total Flow (l/m)	24.6
Total Flow (l/h)	1476



Install Air / Vacuum Relief Valves Correctly by :

Locate at the highest point(s) of the dripline Zone. Install the valve in an exhaust header or a line that runs perpendicular to the lateral rows to ensure all rows of the dripline can take advantage of the air / vacuum relief valve

Plastic -10 bar -145 PSI - THREADED (BSP/ NPT)

Models & Sizes :

- XT-ARV 1/2"
- XT-ARV 1"
- XT-ARV 1 1/2"
- XT-ARV 2"
- XT-ARV 3"



VALVE

Description :

Xeritech Automatic Suction Filter is the ideal solution for agricultural due to its large filtration area , reliable operation mechanism and simple structure.

It works on differential pressure and cleans itself automatically without any external intervention. It has electronically activated models besides hydraulically controlled models.

Due to Suction nozzles , cleaning is achieved with little water consumption.

Besides the standard 130 micron filter size , different screen sizes are available for different dirt levels.

Features :

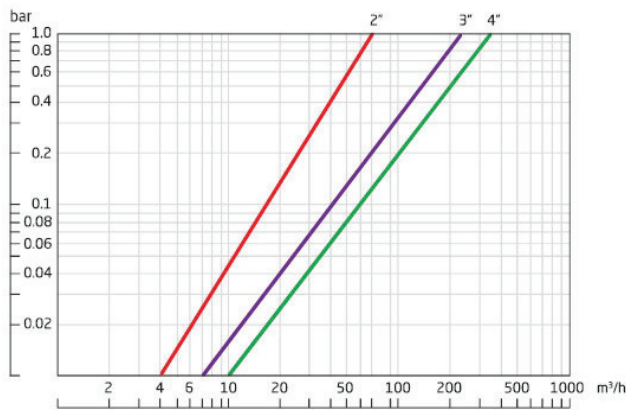
- Most efficient filtration method
- Reliability : Efficient filtration at various flow rates
- Low Pressure loss
- Automatic Self-cleaning system
- Uninterrupted filtration during self-cleaning
- Low Maintenance cost



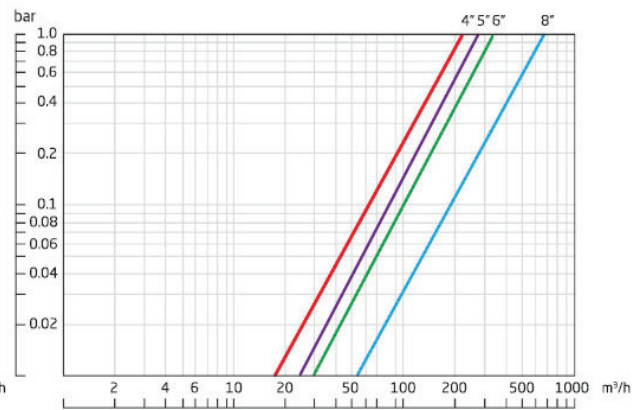
Specification :

Filter Model Code	VH-25	VH-35	VH-50	VH-70	VH-100	HH-100	HH-120	HH-160	HH-200
	VE-25	VE-35	VE-50	VE-70	VE-100	HE-100	HE-120	HE-160	HE-200
Max. Flow Rate	25 m³/h	35 m³/h	50 m³/h	70 m³/h	100 m³/h	100 m³/h	120 m³/h	160 m³/h	200 m³/h
Inlet/Outlet Dimension	2"	3"	3"	4"	4"	4"	5"	6"	8"
Standard Filtration Degree	130 micron	130 micron	130 micron	130 micron	130 micron	130 micron	130 micron	130 micron	130 micron
Min. Operation Pressure	2,5 bar	2,5 bar	2,5 bar	2,5 bar	2,5 bar	2,5 bar	2,5 bar	2,5 bar	2,5 bar
Max. Operation Pressure	10 bar	10 bar	10 bar	10 bar	10 bar	10 bar	10 bar	10 bar	10 bar
Max. Operation Temperature	60°C	60°C	60°C	60°C	60°C	60°C	60°C	60°C	60°C
Minimum flow for flushing (at 2.5 bar - 35 psi)	15 m³/h	15 m³/h	20 m³/h	20 m³/h	22 m³/h	30 m³/h	30 m³/h	30 m³/h	30 m³/h
Flushing Cycle Time	10-16 sn	10-16 sn	10-16 sn	10-16 sn	10-16 sn	22-30 sn	22-30 sn	22-30 sn	22-30 sn
Filtration Area	750 cm²	750 cm²	1500 cm²	1500 cm²	2250 cm²	6800 cm²	6800 cm²	6800 cm²	6800 cm²

Head Loss Chart (VH-VE)



Head Loss Chart (HH-HE)



Models :

XT -Hydraulic Series

XT-VH - Hydraulic Operated 130 micron · Flanged (Vertical)

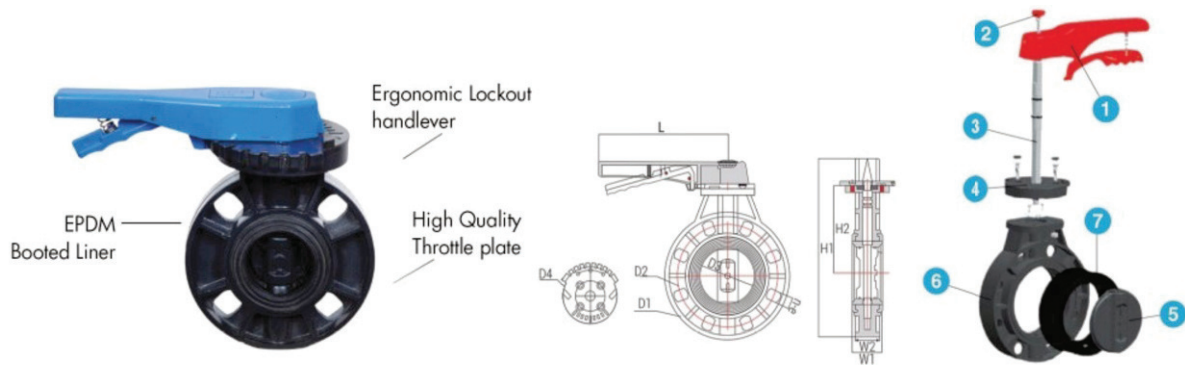
XT-HH - Hydraulic Operated 130 micron · Flanged (Horizontal)

XT-Electrical Series

XT-VE - Electric Activated 130 micron · Flanged · AC or DC (Vertical)

XT-HE - Electric Activated 130 micron · Flanged · AC or DC (Horizontal)





- Disc available in different materials (PVC-U, CPVC, PP-H).
- Ideally suited for flow control using minimal piping space.
- 100% factory tested.
- Minimal pressure drop.
- Built in lockout feature to prevent undesired operations.
- Stainless steel shaft (AISI 630).
- Sleek PP handle.
- Low maintenance.
- Resistance to many inorganic chemicals.
- Excellent flow characteristics.
- Good mechanical strength.
- One piece PP - GF body.

Parts List

- | | |
|--------------------------------|-----------|
| 1. Operator (Lever or Gear). | 5. Disc. |
| 2. Bezel (Screw). | 6. Body. |
| 3. SSTL Stem. | 7. Liner. |
| 4. Throttle Plate with Screws. | |

Product Details
Butterfly valve, flanged end, 63 mm 2" size, BS Std
Butterfly valve, flanged end, 75 mm 2 1/2" size, BS Std
Butterfly valve, flanged end, 90 mm 3" size, BS Std
Butterfly valve, flanged end, 110 mm 4" size, BS Std
Butterfly valve, flanged end, 160 mm 6" size, BS Std
Butterfly valve, flanged end, 200 mm 8" size, BS Std

Dimensions (in mm)

SIZE	2"	2-1/2"	3"	4"	6"	8"
D1	160	180	195	228	286	344
D2	100-122	138-143	138-158	150-184	238-242	292-300
D3	56	70	84	103	150	198
D4	100	100	100	100	140	140
L	190	190	240	240	310	310
W1	44	49	52	55	75	93
H1	224	247	284	320	400	475
H2	100	115	135	157	190	230
n-Øe	4-20	4-20	8-20	8-20	8-24	8-24

Models & Available Sizes:

- XT-SUBV : 20mm to 110mm (Single Union Ball Valve)
 XT-DUBV : 20mm to 110mm (Double Union Ball Valve)
 XT-BFV : 63mm to 400mm (Butterfly Valve – Without flange)

Xeritech 17mm barbed insert fittings are used with all XT Series Dripline. They have been redesigned and can now be installed over twice as fast as other barbed fittings.

When installed with the new XT Insert Fittings, you quickly notice that less force is required to securely attach the fittings. This will reduce hand fatigue, and will save time and money.

Features :

- Material with Acetal Construction provide a secure connection
- Complete line of 17mm insert fittings to simplify installation of XT Series Dripline
- High quality barbs grab tubing for a secure fit
- Unique barb design to reduce insertion force and still retain a secure fit
- Non-obtrusive colored fittings to compliment Natural earth tones

Operating Range :

Pressure: 0 to 50 psi (1.0 to 3.5 bar);
if using more than 60 psi (4.1 bar) clamps will be required

Models :

- XT-COUP : 17mm Barb x Barb Coupling (Brown)
XT-ELBOW : 17mm Barb x Barb Elbow (Brown)
XT-TEE : 17mm Barb x Barb x Barb Tee (Brown)
XT-ENDCAP : 17mm End cap (Brown)
XT-MPT1/2" : 17mm Barb x 1/2" Male Adapter (Brown)
XT-MPT3/4" : 17mm Barb x 3/4" Male Adapter (Brown)
XT-GTO : Grommet take off



Features :

- Pressure compensating for consistent and reliable flow
- Self flushing diaphragm
- Coin Edges for easy grip
- Self Piercing barb

Applications:

- Accurate Irrigation for sparse and mixed plantings with a wide range of flow rates
- Low Flow Emitters for Watering the Root Zones, Plants ,Trees and Container Plants

Operating Range :

- Flow : 2 to 8 l/h
- Pressure : 1.0 to 3.5 bar ; 140 to 350 kPa
- Required filtration :75 to 100 micron

Models :

XT- 2 LPH

XT- 4 LPH

XT- 8 LPH



DRIPPER

Features :

- Simple structure for easy assembly and installation
- Chemical- and UV-resistant body for extended durability
- Automatic cleaning operation eliminates periodic manual flushing.
- Can be disassembled, allowing for winterization "blowout".
- Flushing reduces sediment build-up in the drip line drip emitters, extending the long-term performance of the drip line and the irrigation system.
- Used with drip irrigation systems and works well with clean or dirty water



Applications :

- The flush valve from Xeritech is used to automatically flush the lines of a drip system at the start of each irrigation cycle.
- Suitable for flushing the entire drip irrigation system & water supply line.
- Recommended in micro/ drip irrigation as a flush valve to remove the entrapped dirt from pipe line during flushing.

Operating Range :

- Maximum pressure: Up to 50 PSI
- Minimum operating pressure at the flush valves with PC drip line: 20 PSI
- Minimum pressure at the flush valves : 10 PSI

Benefits :

- Threaded facility to open to easiness for flushing dirt from sub main
- Special 'O' ring provided for leak proof performance
- To prevent snapout of cap while flushing, special provision made for cap
- Large opening provided to provided to take out dirt from pipeline

Models :

XT-FLUSHVALVE 1 ¼"

XT-FLUSHVALVE 1 ½ "

XT-FLUSHVALVE 2"



Features :

- XT Dripline – Blank with greater flexibility is easier to install and saves time
- Brown color matches landscape and blends with mulch.
- Matches XT Series Dripline
- Accepts and compatible with Xeritech XT Dripline Insert Fittings, and 17mm insert fittings

Operating Range

- Pressure: 8.5 to 60 psi (0.58 to 4.14 bar)
- Temperature: Up to 100° F (43.3 C) water; up to 125 F (51.7° C) ambient
- Required filtration: 120 mesh / 125 Micron

Features:

- Application : On Surface
- Emitter Spacing : Blank Tubing / No Emitters
- Tubing Diameter : 1/2 in with 1.2mm wall thickness

Specification

- Outside diameter : 0.634" (16.1 mm)
- Inside diameter : 0.536" (13.6 mm)
- Thickness(Wall) : 0.049" (1.2 mm)
- Spacing : NA
- Length : 400 Mtrs / Roll



Models :

XTBLANK 1.2mm wall thickness- Blank Brown Lateral

Features :

- Easy Installation and fast due to Extra flexibility tubing
- Dual-Lay layered tubing (brown over black) provides unmatched resistance to chemicals, UV damage and algae growth.
- Increase reliability due to patent pending emitter design

Operating Range

- Pressure: 8.5 to 60 psi (0.58 to 4.14 bar)
- Temperature: Up to 100° F (43.3 C) water; up to 125 F (51.7° C) ambient
- Required filtration: 120 mesh / 125 Micron

Specification

Used with XT Dripline Insert fittings

Outside diameter : 0.634" (16.1 mm)

Inside diameter : 0.536" (13.6 mm)

Thickness(Wall) : 0.049" (1.2 mm)

Spacing : 40 cms / 60 cms

Length : 400 Mtrs / Roll

152 Mtrs / Roll

Models :

XT-INLINE 30cm, 40cm / 60cm spacing



Xeritech Disc-Screen Filters are designed to ensure deep filtration for lower flow Manufactured in high quality plastic, which ensures easy handling, high resistance and durability.

XT Plastic Screen Filter



- 530 Micron | 35 Mesh
- 130 Micron | 120 Mesh
- 200 Micron | 75 Mesh
- 100 Micron | 150 Mesh

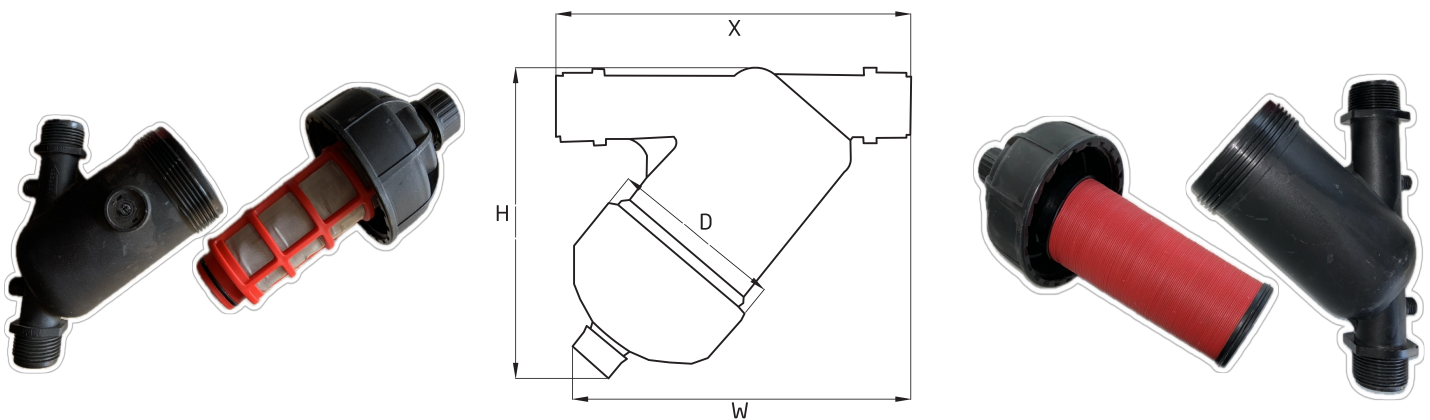
XT Plastic Disc Filter



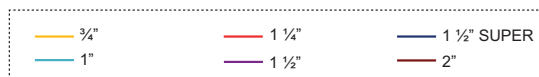
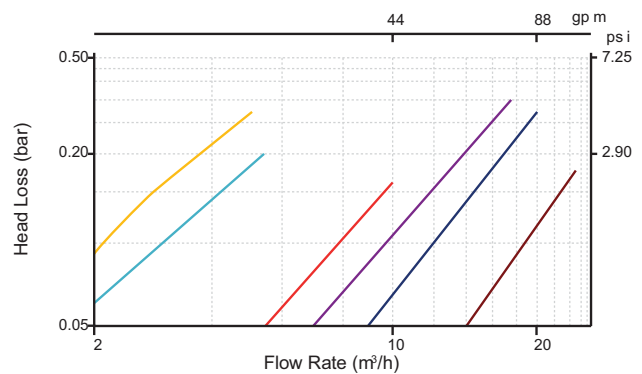
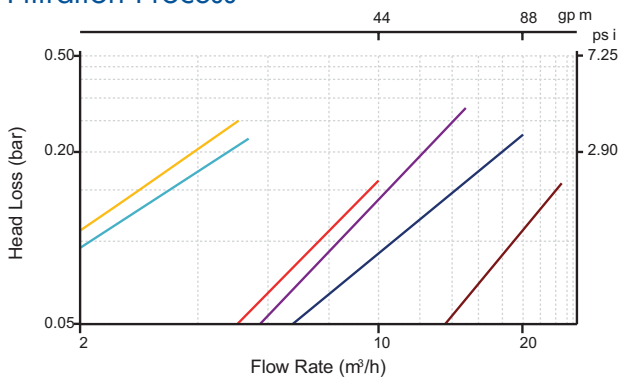
- 130 Micron | 120 Mesh

Model	Connection	Connection Type	Capacity m ³ /h	W mm	H mm	X mm	D mm
XTS1	¾"	BSPT x NPT	5	182	170	170	93,5
XTS2	1"		6				
XTS3	1 ¼"		10				
XTS4	1 ½"		15	225	205	230	115
XTS4-P	1 ½"		20				
XTS5-P	2"		25	275	250	263	143

Model	Connection	Connection Type	Capacity m ³ /h	W mm	H mm	X mm	D mm
XTD1	¾"	BSPT x NPT	5	182	170	170	93,5
XTD2	1"		6				
XTD3	1 ¼"		10				
XTD4	1 ½"		15	225	205	230	115
XTD4-P	1 ½"		20				
XTD5-P	2"		25	275	250	263	143



• Filtration Process



Xeritech Clamp Saddles are used in Agriculture irrigation systems saddle Line and it is specially designed for allow water exit from PE and PVC pipes with a working pressure of up to 10 bar.

The Saddles are perfectly watertight, extremely simple to use, easy and fast to reuse, frost proof, suitable for use in direct sunlight and highly impact resistant.

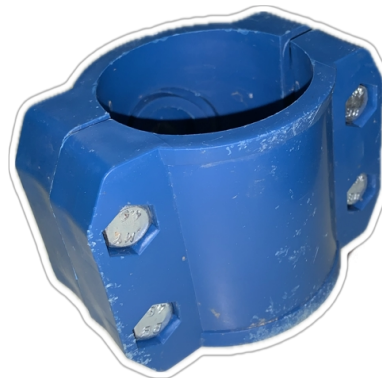
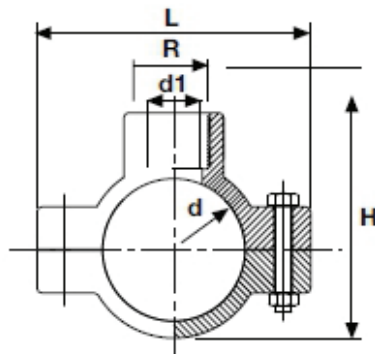
Specifications :

- Body : Polypropylene, high-grade copolymer.
- Bolts and Nuts : Plated steel.
- Reinforcing stainless steel rings.
- Seal : Nitrile rubber (NBR).
- PN 12.5



Models :

- XT-CS 25mm TO 160mm



Features:

- XT- PR model Pressure reducer control valve is the hydraulic control valve which reduces high upstream pressure valve to desired lower pressure valve by means of built-in pressure reducing pilot valves
- Pressure reducer control valve controls downstream pressure value continuously and maintains it constant without being affected from flow rate and upstream pressure values.
- When no flow exists in the system, it closed itself automatically
- When valve upstream pressure value, it is opened fully by itself.
- Valve may be used in vertical or horizontal positions in the system.

Control System Components :

- 3-Way Selector valve
- Plastic Pilot
- In-line Finger Filter

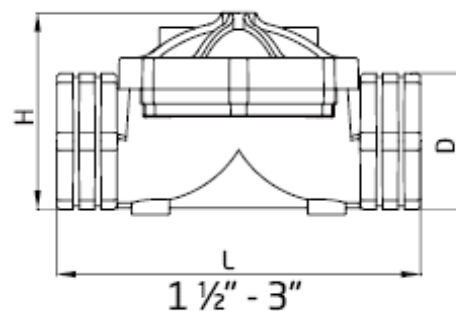


Dimensions :

DN		D		L		H	
inch	mm	inch	mm	inch	mm	inch	mm
1 ½"	40	2 ½"	62	7 ⅞"	200	4 ⅜"	110
2"	50	3"	75	7 ⅞"	200	4 ⅜"	110
2 ½"	65	3 ¾"	95	9 ⅞"	250	5 ⅜"	138
3"	80	4 ¼"	109	9 ⅞"	250	5 ⅝"	145

Models & Available Sizes:

XT-PR 1 ½", 2", 2 ½", 3"



Features :

- Spring- Loaded covers
- Rugged, red brass construction for long life and reliable performance.
- Reliable leak proof operation with strong corrosion-resistant stainless steel spring.
- Attaches water hose to quick-coupling valve key
- Swivels up to 360°
- Allows hose to be pulled in any direction
- Prevents hose damage

Applications :

- Quick-Coupling valves permits easy access to water from an underground piping system
- This can be used in Conjunction with hose for Manual Irrigation or cleaning drive aways sidewalks , etc.
- They are installed flush to grade with the use of valve box.

Models :

QCV

XTQCV – ¾" Inlet

XTQCV – 1" Inlet

Cover options (Yellow cover)

QCV Key

XTQCV KEY – ¾"

XTQCV KEY – 1"

SWIVEL ELBOW

XTS0

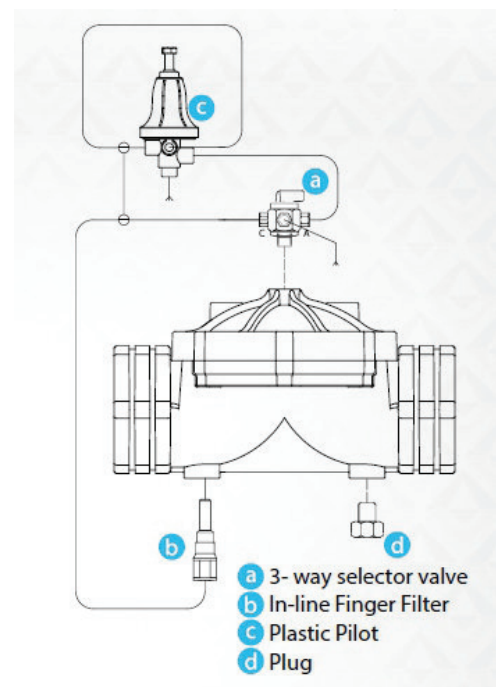
XTS1



Description :

Xeritech quick pressure relief valve is the safety control valve designed to protect system by releasing pressure surges in water network elevation lines to atmosphere quickly, which are caused by sudden changes in water speed due to pumps put into/out of service.

When network pressure exceeds set point, valve opens by itself quickly and protects system by releasing over pressure. When line pressure decreases to normal level, it is closed slowly and automatically as fully tight without causing surge.



Technical Specifications :

- Pressure Range – 07-10 bar (10-145 psi)
- Connection – Threaded BSP
- Material – Glass Reinforced Polyamide (Plastic)
- Hydraulic connections – Reinforced Nylon Hydraulic Pipe
- Actuator Type – Diaphragm Closing Type

With Single Control Chamber and Diaphragm Actuator

Models :

XT-QR 1 ½", 2", 2 ½", 3"

Features :

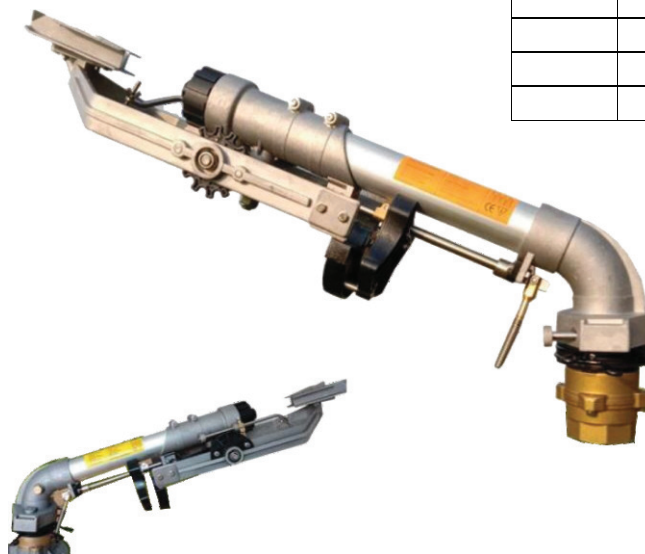
- **Copper base , Stainless steel Rain-gun**
- **Distributes water consistently**
- Speed Adjustable
- Atomization can be adjusted
- 24° Elevation
- Rotation angle: 0-360° (Controlled)
- **2" Copper Female thread Connect or 6-hole flange is optional**

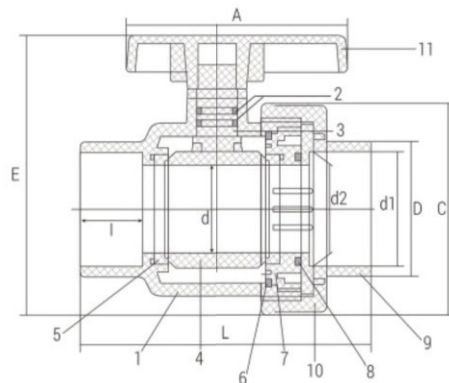
Operating Specifications

- Flow rate 10-70 m³/h
- Working pressure: 0.2 – 0.7 MPa
- Spray range: 23-56 m
- Style: Flange style with 43° high elevation lengthened type
- Nozzle Size: 6 from 14 to 30

Model Size : XT-RG2" / XT-RG3"

Noz dia	Working	Flow rate	Jet length
mm	kg/cm ²	m ³ /h	m
20	3	17.5	31
	4	19.9	34
	5	22.8	36
	6	24.7	39
	7	26.6	41
	8	28.5	42
22	3	31.9	33
	4	25.5	36
	5	28.2	39
	6	30.9	41
	7	33.2	43
	8	35.8	45
24	3	25.8	35
	4	32.3	39
	5	35	41
	6	38.5	44
	7	41.5	46
	8	44.5	48
26	3	33.5	38
	4	37.5	41
	5	42.5	44
	6	46.5	46
	7	49.8	48
	8	53.2	50
28	3	39.2	40
	4	45.3	43.6
	5	50.3	46
	6	54.6	48
	7	58.5	51.5
	8	63.3	53
30	3	60.2	47
	4	71.5	51
	5	78.3	53
	6	85.5	54
	7	92.8	56.3
	8	98.9	58.8





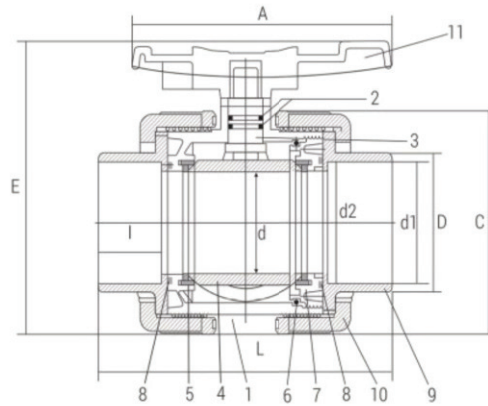
- UPVC and ABS construction.
- 316 grade stainless steel components.
- Up to 10 BAR pressure rated.
- PVC-U body.
- Light body weight & single union structure.
- Handle can be used as tool to adjust threaded seal carrier.
- Female solvent socket.
- Metric series.
- Ball seat in HDPE.
- O-Rings in EPDM.
- Teflon seals.
- Quick installation.

NO.	PART	MATERIAL	QUANTITY
1	BODY	UPVC	1
2	STEM O-RING	EPDM	2
3	STEM	UPVC	1
4	BALL	UPVC	1
5	SEAT SEAL	TPE, TPV, TPO	2
6	CARRIER O-RING	EPDM	1
7	SEAL CARRIER	UPVC	1
8	UNION O-RING	EPDM	1
9	END CONNECTOR	UPVC	1
10	UNION NUT	UPVC	1
11	HANDLE	PVC	1

Product Details
Single union ball valve, socketed end, 20 mm 1/2" size, BS Std
Single union ball valve, socketed end, 25 mm 3/4" size, BS Std
Single union ball valve, socketed end, 32 mm 1" size, BS Std
Single union ball valve, socketed end, 40 mm 1 1/4" size, BS Std
Single union ball valve, socketed end, 50 mm 1 1/2" size, BS Std
Single union ball valve, socketed end, 63 mm 2" size, BS Std
Single union ball valve, socketed end, 75 mm 2 1/2" size, BS Std
Single union ball valve, socketed end, 90 mm 3" size, BS Std

Dimensions (in mm)

SIZE	1/2"	3/4"	1"	1-1/4"	1-1/2"	2"	2-1/2"	3"	4"
I	16.10	18.50	21.00	26.50	31.30	38.00	41.00	51.50	61.00
d1	20.30	25.30	32.30	40.30	50.30	63.30	75.30	90.30	110.40
d2	20.00	25.00	32.00	40.00	50.00	63.00	75.00	90.00	110.00
d	15.00	20.00	25.00	30.00	38.00	48.00	59.00	72.00	96.00
C	56.00	60.00	69.00	80.00	95.00	116.00	139.00	170.00	210.00
E	79.00	90.00	103.00	122.00	139.00	166.00	192.00	235.00	277.00
A	63.00	72.00	75.00	85.00	95.00	110.00	128.00	139.00	160.00
L	76.00	87.00	101.00	114.00	137.00	163.00	198.00	230.00	274.00
D	28.80	35.00	43.00	52.00	62.00	75.50	88.50	106.00	131.00



- UPVC and ABS construction.
- 316 grade stainless steel components.
- Up to 10 BAR pressure rated.
- PVC-U body.
- Light body weight & compact double union structure.
- Handle can be used as tool to adjust threaded seal carrier.
- Ball seat in HDPE.
- O-Rings in EPDM.
- Teflon seals.
- Quick installation.
- Metric series.
- Female solvent socket.

NO.	PART	MATERIAL	QUANTITY
1	BODY	UPVC	1
2	STEM O-RING	EPDM	2
3	STEM	UPVC	1
4	BALL	UPVC	1
5	SEAT SEAL	TPE, TPV, TPO	2
6	CARRIER O-RING	EPDM,	1
7	SEAL CARRIER	UPVC	1
8	UNION O-RING	EPDM	2
9	END CONNECTOR	UPVC	2
10	UNION NUT	UPVC	2
11	HANDLE	PVC, ABS	1

Product Details
Double union ball valve, socketed end, 20 mm 1/2" size, BS Std
Double union ball valve, socketed end, 25 mm 3/4" size, BS Std
Double union ball valve, socketed end, 32 mm 1" size, BS Std
Double union ball valve, socketed end, 40 mm 1 1/4" size, BS Std
Double union ball valve, socketed end, 50 mm 1 1/2" size, BS Std
Double union ball valve, socketed end, 63 mm 2" size, BS Std
Double union ball valve, socketed end, 75 mm 2 1/2" size, BS Std
Double union ball valve, socketed end, 90 mm 3" size, BS Std

ASTM std valves are also available

Dimensions (in mm)

SIZE	1/2"	3/4"	1"	1-1/4"	1-1/2"	2"	2-1/2"	3"	4"
I	16.10	18.50	21.00	26.50	31.30	38.00	41.00	51.50	61.00
d1	20.30	25.30	32.30	40.30	50.30	63.30	75.30	90.30	110.40
d2	20.00	25.00	32.00	40.00	50.00	63.00	75.00	90.00	110.00
d	15.00	20.00	25.00	30.00	38.00	48.00	59.00	72.00	96.00
C	56.00	60.00	69.00	80.00	95.00	116.00	139.00	170.00	210.00
E	79.00	90.00	103.00	122.00	139.00	166.00	190.00	235.00	277.00
A	67.00	78.00	87.00	102.00	120.00	146.00	178.00	210.00	250.00
L	83.00	94.00	107.00	122.00	146.00	171.00	210.00	246.00	283.00
D	28.80	35.00	43.00	52.00	62.00	75.50	88.50	106.00	131.00

Features :

- Galvanised steel stake to secure tubing distribution
- Compatible for XT Dripline series to finish
- Sharp tips provide easy insertion into all soil types
- Easy Installation
- Packaging options provide ease of transportation and storage
- It Provides long lasting and Corrosion resistant hold strength for distribution tubing

Specification :

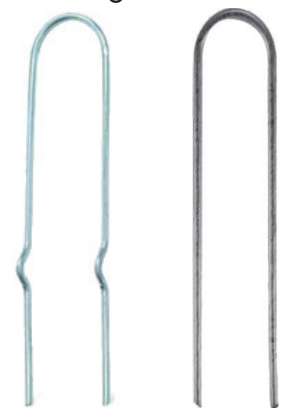
Size : 6" (15cm)

Material : Galvanized Steel

Thickness : 9 gauge

Models :

XT-TIEDOWNSTAKE



Features :

- Plastic stake used to hold down 16mm tubing to finish grade
- Sharp tips provide easy insertion into all soil types
- Easy Installation
- It Provides long lasting and Corrosion resistant hold strength for distribution tubing
- Featuring a clamp-like end into which a micro-tube is inserted, our stabilization stakes ensure accurately targeted irrigation

Specification :

Size : 8"

Colour : Brown

Models :

XT- PLASTIC STAKE



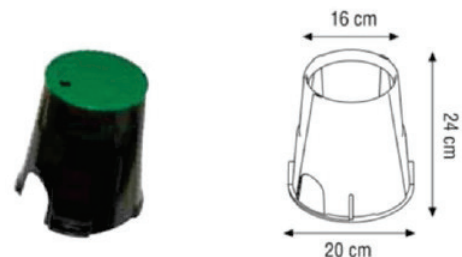
TIE DOWN STAKE

Features :

- Xeritech Valve Boxes are used for the purpose of protecting the irrigation valves that are laid on the ground or on the ground.
- Production is carried out in accordance with ISO 9001:2015 quality requirements.
- It is resistant to high strengths.
- It protects the valve against freezing in winter.
- The fact that the covers can be opened easily ensures easy access to the valves.
- In order to ensure easy assembly, the pipe sections were drawn and the points were determined separately according to the pipe diameter.
- Body color is BLACK, Top cover is GREEN
- The product is produced from PP raw material.
- All sizes provide significant cost advantage in transportation as they are light and nestable.

XT-VBRND6"-Round Series

- There are 2 side openings on the body and it is suitable for pipes with a diameter of 2".
- The grooves in the part of the body that touch the ground increase the strength of the box.
- The opening on the cover surface allows the cover to be lifted easily with a finger or a metal object.



XT-VB 10"- RECTANGULAR Series

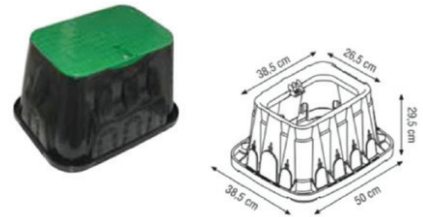
- There are 2 side openings on the body and it is suitable for pipes with a diameter of 2".
- The grooves in the part of the body that touch the ground increase the strength of the box.

The opening on the cover surface allows the cover to be easily opened by moving it clockwise with the help of two fingers and to be locked by moving in the opposite direction.



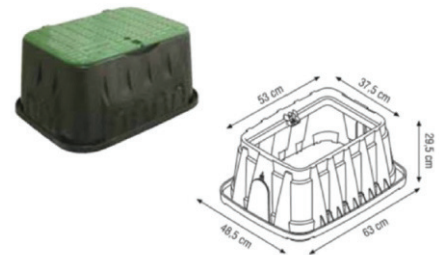
XT-VB12"-RECTANGULAR STD Series

- There are pipe transitions at 3 points from the sides on the body and it is suitable for up to 2" diameter pipes.
- There is a shovel access slot on the lid opening and it is used to easily remove the lid.
- There is a plastic lock system on the cover that fits into the bolt slot.
- Behind the cover, there are two hinges connected to the body that allow the cover to be opened and closed easily.
- These hinges also reduce the risk of the lid being lost.



XT-VB14"-JUMBO Series

- There are pipe transitions at 4 points from the sides on the body and it is suitable for up to 2" diameter pipes.
- There is a shovel access slot on the lid opening and it is used to easily remove the lid.
- There is a plastic lock system on the cover that fits into the bolt slot.
- Behind the cover, there are two hinges connected to the body that allow the cover to be opened and closed easily.
- These hinges also reduce the risk of the lid being lost.



Models:

XT-VBRND6"

XT-VBRND10"

XT-VB12"

XT-VB14" JUMBO

SINGLE CONDUCTORS, TYPE UF/PE :

- This type of wire is a general purpose, direct burial, product that is widely used on all kinds of irrigation systems. Available from 20 AWG up to 10 AWG.
- Wires connecting the remote control valves to the irrigation controller shall be single conductors, type UF/TWU.
- Its construction incorporates a solid copper conductor and PVC insulation.
- The wires shall be listed for direct burial in irrigation systems and be rated at a minimum of 30 VAC. Wire sizes and colors are defined in the irrigation plans and other specifications.
- This type of wire, listed as Golf Course Sprinkler wire, was specifically designed for the harsh conditions of landscape projects where chemicals such as fertilizers, herbicides, pesticides, and fungicides are frequently applied.
- Wires connecting the remote control valves to the irrigation controller shall be single conductors, type PE. Its construction incorporates a solid copper conductor and polyethylene (PE) insulation.
- The wires shall be listed for direct burial in irrigation systems and be rated at a minimum of 30 VAC. Wire sizes and colors are defined in the irrigation plans and other specifications.



Two Wire UF/PE :

- Typically uses a 14 AWG/2c or 12 AWG/2c / 10 AWG/2c, two wire cables.
- This specification covers construction requirements for a 2/C control cable design to operate valve decoders / modules consisting of tin coated copper conductors, insulated with PVC and having a high density polyethylene direct burial jacket. Conductors are UL approved Type UF.
- Cable Assembly: Insulated conductors are laid parallel.
- Colour coding : Black, Red, Green, Orange, etc.,
- Outer Jacket : Pressure Extruded High Density PE conforming to ICEA S-16-402, and NEMA WC5 Jacket thickness 3/64" minimum jacket material to completely fill interstices between the two insulated conductors.
- Conductor : Soft annealed tin coated copper confirming to ASTM B-33.
- Insulation : Polyvinyl Chloride confirming to UL Standard 493 for Type UF rated 60°C.



NO. OFCOND.	SIZE(AWG)	STRAND	INS. WALL (MILS)	JACKET WALL (MILS)	O.D.	WEIGHTLBS/M
2	14	1	60	45	.280" x .470"	83
2	12	1	60	45	.300" x .505"	105

