



SHIVA EXPORTS

Importers of complete water management equipments



KAVERI IRRIGATIONS

IRRIGATION DESIGNERS & SUPPLIERS



RAIN BIRD

AQVA STAR

XeriTech
Conserve water, Conserve life

PIMTAS
PVT. LTD. PUNE & BANGALORE

SAB

ARMAS

**OTTERBINE
BAREBO, INC.**

PPP
PRECISION PLUMBING PRODUCTS

**Paige
Irrigation**

Varios
Flow Solutions

Italfog

wilo

Kasco

Supreme
People who know plastics best

NIBCO
A-HEAD OF THE FLOW

LASCO
Fittings, Inc.

STF
matholding group

irritec

Leemco, INC.
Piping Solutions

Gomukhi Point, 102 Sangu Nagar, E.B.Complex Back Side, Collectorate Post, **ERODE - 638 011**. TN, India.

Tel/Fax : 0424 - 2273032, 2273033, Mobile : 098427 10700 / 099420 10700

Website : www.shiva-kaveri.com



Since 1977

PIMTAS®



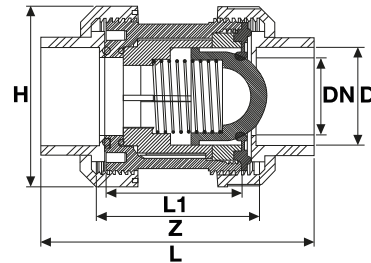
U-PVC / HDPE / PP

U-PVC CHECKVALVE

PRODUCTION STANDARD | EN 1452-3
SIZE Ø16 - Ø400

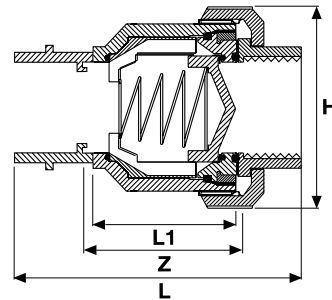


U-PVC Solvent Cement Spring Checkvalve



Dia	PN	EPDM O-Ring Code	Price (Pcs)	Kg/Pcs	Box/Pcs	DN (mm)	H (mm)	L (mm)	L1 (mm)	Z (mm)
16	16	214 00 016 2	6,25	0,10	70	12	54	80	42	50
20	16	214 00 020 2	5,25	0,11	70	16	54	85	45	52
25	16	214 00 025 2	5,75	0,14	75	20	62	95	49	58
32	16	214 00 032 2	7,15	0,20	60	25	66	107	54	61
40	16	214 00 040 2	7,85	0,37	32	32	84	128	66	73
50	16	214 00 050 2	8,85	0,53	25	40	92	154	75	82
63	16	214 00 063 2	11,75	0,95	13	50	116	172	89	95
75	16	214 00 075 2	27,50	1,21	7	65	146	196	111	118
90	16	214 00 090 2	30,50	3,15	4	80	178	241	126	139
110	16	214 00 110 2	53,50	4,59	2	100	210	289	153	165

U-PVC Single Union Spring Checkvalve



Dia	PN	EPDM O-Ring Code	Price (Pcs)	Kg/Pcs	Box/Pcs	DN (mm)	H (mm)	L (mm)	L1 (mm)	Z (mm)
20	16	214 10 020 2	4,42	0,09	60	16	47	47	45	55
25	16	214 10 025 2	4,68	0,16	75	20	52	52	49	59
32	16	214 10 032 2	5,53	0,20	60	25	63	63	54	69
40	16	214 10 040 2	5,95	0,45	32	32	66	66	66	72
50	16	214 10 050 2	6,97	0,54	20	40	89	89	75	91
63	16	214 10 063 2	9,18	0,95	13	50	100	100	89	103
75	16	214 10 075 2	25,50		9	65	146	128	111	111
90	16	214 10 090 2	29,05		4	80	178	227	125	141
110	16	214 10 110 2	50,10		2	100	210	275	155	171

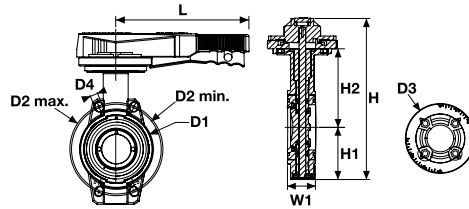
U-PVC BUTTERFLY VALVES

PRODUCTION STANDARD
SIZE Ø63 - Ø400

TS EN ISO 16136



U-PVC Butterfly Valve (Without Flange)



For Water



For Acid

Dia	PN	EPDM O-Ring Code	Price (Pcs)	FPM O-Ring Code	Price (Pcs)	Kg/Pcs	Box/Pcs
63	10	201 00 063 4	41,00	201 01 063 4	61,50	1,18	1
75	10	201 00 075 4	45,00	201 01 075 4	67,50	1,26	1
90	10	201 00 090 4	48,00	201 01 090 4	72,00	1,42	1
110	10	201 00 110 4	55,00	201 01 110 4	82,50	2,23	1
125	10	201 00 125 4	62,00	201 01 125 4	93,00	2,77	1
140	10	201 00 140 4	62,00	201 01 140 4	93,00	2,77	1
160	10	201 00 160 4	79,00	201 01 160 4	118,50	3,22	1
200	10	201 00 200 4	132,00	201 01 200 4	198,00	5,12	1
225	10	201 00 225 4	132,00	201 01 225 4	198,00	5,12	1
250	10	201 00 250 4	350,00	201 01 250 4	525,00	9,14	1
280	10	201 00 280 4	350,00	201 01 280 4	525,00	9,14	1
315	10	201 00 315 4	900,00	201 01 315 4	1,350,00	24,3	1
*355	6	201 00 355 4	3.268,87	201 01 355 4)		1
*400	6	201 00 400 4	3.268,87	201 01 400 4)		1

Dia	DN	D1 (mm)	D2 min. (mm)	D2 max. (mm)	D3 (mm)	D4 (mm)	L (mm)	H (mm)	H1 (mm)	H2 (mm)	W1 (mm)	nØe	kv-value l/min.	ISO 5211
63	50	104	120	125	115	19	207	256	82	126	45	4 x 19	1470	F 07
75	65	115	140	145	115	19	207	265	86	129	46	4 x 19	2200	F 07
90	80	131	150	160	115	19	207	272	89	132	48	8 x 19	3000	F 07
110	100	160	175	190	115	19	207	311	103	156	56	8 x 19	6500	F 07
125	110	190	210	216	115	23	258	338	116	169	63	8 x 23	11500	F 07
140	125	190	210	216	115	23	258	338	116	169	63	8 x 23	11500	F 07
160	150	214	241	241	115	24	258	364	129	182	66	8 x 24	16600	F 07
200	175	268	290	295	115	24	335	414	158	203	75	8 x 24	39600	F 07
225	200	268	290	295	115	24	335	414	158	203	75	8 x 24	39600	F 07
250	250	333	353	362	156	24	410	507	198	242	114	8 x 24	55200	F 10
280	250	333	353	362	156	24	410	507	198	242	114	12 x 24	55200	F 10
315	300	379	400	432	156	24	410	580	228	285	113	12 x 24	80000	F 10
*355	350	535	445	477	156	26	410	620	268	305	140	16 x 24	90000	F 12
*400	400	595	510	540	156	26	410	686	285	335	168	16 x 26	115000	F 12

* Reduction Gear Butterfly Valve

U-PVC BALL VALVE

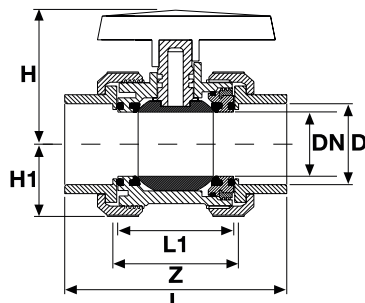
PRODUCTION STANDARD

SIZE Ø16 - Ø110

TS EN ISO 16135

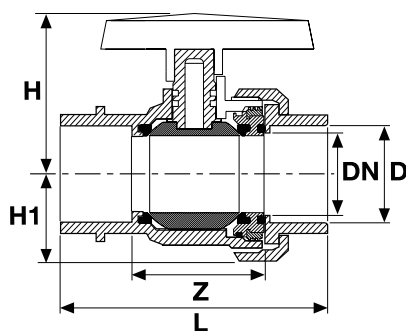


U-PVC Solvent Cement True Union Ball Valve For Water



Dia	PN	EPDM O-Ring Code	Price (Pcs)	Kg/Pcs	Box/Pcs	DN (mm)	kv l/min	Z (mm)	L1 (mm)	L (mm)	H (mm)	H1 (mm)
16	16	202 00 016 2	6,30	1	55	12	70	50	42	80	47	27
20	16	202 00 020 2	5,20	0,14	55	15	185	52	45	85	47	27
25	16	202 00 025 2	5,50	0,18	75	20	350	58	49	95	51	31
32	16	202 00 032 2	6,50	0,25	60	25	700	61	54	107	63	33
40	16	202 00 040 2	7,00	0,43	30	32	1000	73	66	128	67	41
50	16	202 00 050 2	8,20	0,65	20	40	1600	82	75	154	86	46
63	16	202 00 063 2	10,80	1,13	12	50	3100	95	89	172	101	58
75	16	202 00 075 2	28,00	1,47	5	65	5000	118	111	196	110	73
90	16	202 00 090 2	37,00	3,58	4	80	7000	139	126	241	137	89
110	16	202 00 110 2	55,00	5,43	2	100	11000	165	153	289	150	105

U-PVC Solvent Cement Single Union Ball Valve



Dia	PN	EPDM O-Ring Code	Price (Pcs)	Kg/Pcs	Box/Pcs	DN (mm)	Z (mm)	L (mm)	H (mm)	H1 (mm)
20	16	232 00 020 2	4,42	0,10	55	15	52	78	47	27
25	16	232 00 025 2	4,68	0,13	56	20	58	87	52	31
32	16	232 00 032 2	5,53	0,19	60	25	61	100	63	33
40	16	232 00 040 2	5,95	0,30	40	32	73	114	66	42
50	16	232 00 050 2	6,97	0,51	20	40	82	146	89	41
63	16	232 00 063 2	9,18	0,90	12	50	95	160	100	58
75	16	232 00 075 2	23,80	1,19	9	65	118	195	110	65
90	16	232 00 090 2	31,45	2,78	4	80	139	228	137	89
110	16	232 00 110 2	46,75	4,47	2	100	165	275	150	105

PP-B

BLUE SERIES
PN 16

COMPRESSION FITTINGS

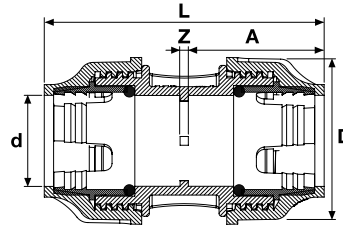
PRODUCTION STANDARD

TS ISO 17885

SIZE Ø20 - Ø110

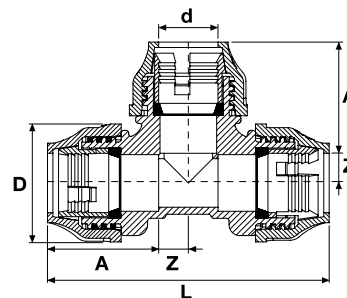


Coupling



Dia	Pn	Code	Price (Pcs)	Box Pcs	Bag Pcs	D (mm)	A (mm)	Z (mm)	L (mm)
20x20	16	EX70001200	0,54	300	25	44	48,5	3	100
25x25	16	EX70001201	0,76	200	25	50	53	3	109
32x32	16	EX70001202	0,94	130	10	61	57	3	117
40x40	16	EX70001203	1,93	70	10	74,5	73,5	3	150
50x50	16	EX70001204	2,57	42	6	88	84,5	3	172
63x63	16	EX70001205	3,73	30	5	101	92,5	3	152
75x75	16	EX70001206	6,62	20		124	127	4	258
90x90	16	EX70001207	9,90	9		149	159	5	323
110x110	16	EX70001208	14,54	6		185	185	6	376

Tee



Dia	Pn	Code	Price (Pcs)	Box Pcs	Bag Pcs	D (mm)	A (mm)	Z (mm)	L (mm)
20	16	EX70001300	1,27	180	15	43,7	48,5	11	119
25	16	EX70001301	1,56	120	10	49,8	53	13,5	133
32	16	EX70001302	2,15	70	5	60,8	57	17	148
40	16	EX70001303	3,43	45	5	74,5	73,5	21	189
50	16	EX70001304	5,22	24	4	88	84,5	26	221
63	16	EX70001305	6,37	15	3	101	92,5	32,5	250
75	16	EX70001306	14,05	8		124	127	38,5	331
90	16	EX70001307	20,55	6		149	159	46	410
110	16	EX70001308	34,24	4		185	185	56	482

U-PVC

CLAMP SADDLES

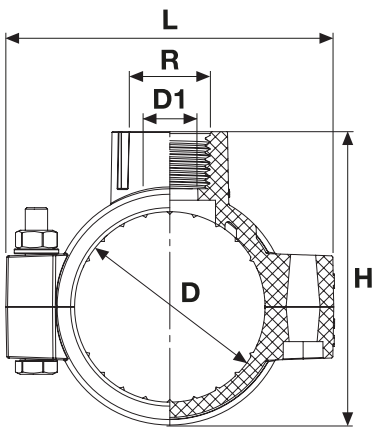
PRODUCTION STANDARD

TS ISO 13460-1

SIZE Ø20 - Ø110



PP Clamp Saddle



D (mm)	R (mm)	Pn	Code	Price (Pcs)	Box Pcs	Bag/Pcs	d1 (mm)	L (mm)	H (mm)
25	1/2	16	EX52901250202	0,69	180	1	16	54	52
25	3/4	16	EX52901250252	0,69	180				
32	1/2	16	EX52901320202	0,61	140	1	16	78	62
32	3/4	16	EX52901320252	0,89	140	1	21	78	62
40	1/2	16	EX52901400202	1,02	130	1	16	80	68
40	3/4	16	EX52901400252	1,02	130	1	21	80	68
40	1	16	EX52901400322	1,02	130	1	27	80	68
50	1/2	16	EX52901500202	1,19	120	1	16	84	81
50	3/4	16	EX52901500252	1,19	120	1	21	84	81
50	1	16	EX52901500322	1,26	120	1	27	84	81
63	1/2	16	EX52901630202	1,80	50	1	16	98	93
63	3/4	16	EX52901630252	1,42	50	1	21	98	93
63	1	16	EX52901630322	1,57	50	1	27	98	93
63	1 1/4	16	EX52901630402	2,16	45		35	98	93
63	1 1/2	16	EX52901630502	2,19	45		42	98	93
75	1/2	16	EX52901750202	2,09	35	1	16	117	102
75	3/4	16	EX52901750252	2,09	35	1	21	117	104
75	1	16	EX52901750322	2,09	35	1	27	117	107
75	1 1/4	16	EX52901750402	2,50	35	1	35	117	109
75	1 1/2	16	EX52901750502	2,59	30	1	42	117	109
75	2	16	EX52901750632	2,83	30	1	53	117	111
90	1/2	16	EX52901900202	2,43	25	1	16	128	116
90	3/4	16	EX52901900252	2,49	25	1	21	128	118
90	1	16	EX52901900322	2,49	25	1	27	128	121
90	1 1/4	16	EX52901900402	2,87	25	1	35	128	123
90	1 1/2	16	EX52901900502	2,90	25	1	42	128	123
90	2	16	EX52901900632	3,13	25	1	53	128	126
110	1/2	16	EX52901110202	2,79	20	1	15	146	150
110	3/4	16	EX52901110252	2,81	20	1	20	146	150
110	1	16	EX52901110322	2,81	20	1	26	146	150
110	1 1/4	16	EX52901110402	3,35	20	1	35	146	150
110	1 1/2	16	EX52901110502	3,42	20	1	41	146	150
110	2	16	EX52901110632	3,63	20	1	51	146	150
125	1/2	16	EX52901125202	4,40	18	1	15	166	169
125	3/4	16	EX52901125252	4,51	18	1	20	166	169
125	1	16	EX52901125322	4,65	18	1	26	166	169
125	1 1/4	16	EX52901125402	4,84	18	1	35	166	169
125	1 1/2	16	EX52901125502	4,95	18	1	41	166	169
125	2	16	EX52901125632	5,25	18	1	50	166	169
140	1/2	16	EX52901140202	6,46	15	1	18	178	191
140	3/4	16	EX52901140252	6,58	15	1	24	178	191
140	1	16	EX52901140322	6,65	15	1	30	178	191
140	1 1/4	16	EX52901140402	6,86	15	1	38	178	191
140	1 1/2	16	EX52901140502	6,91	15	1	45	178	191
140	2	16	EX52901140632	6,91	15	1	50	178	191
160	1/2	16	EX52901160202	7,23	9	1	18	216	215
160	3/4	16	EX52901160252	7,33	9	1	24	216	215
160	1	16	EX52901160322	7,43	9	1	30	216	215
160	1 1/4	16	EX52901160402	7,64	9	1	38	216	215
160	1 1/2	16	EX52901160502	7,74	9	1	45	216	215
160	2	16	EX52901160632	7,90	9	1	50	216	215
200	3/4	16	EX52901200252	15,06			24	262	245
200	1	16	EX52901200322	15,15			30	262	245
200	1 1/4	16	EX52901200402	15,26			38	262	245
200	1 1/2	16	EX52901200502	15,40	9	1	45	262	245
200	2	16	EX52901200632	15,63	9	1	50	262	245